

Ex Flashing Light 7.5 Joules Quadro F12-3G/3D ATEX



The Quadro F12 3G/3D flashing light is designed for tough demands under industrial conditions and is usable as a visual alarm. The flashing light, which is suitable for use both indoors and out, generates bright light impulses with a high attention-drawing effect.

- for use in potentially explosive areas in Zone 2 as per EN 60079-10 and Zone 22 as per EN 61241-10
- the requirements of the EN 60079-0, EN 60079-15, EN 61241-0, EN 61241-0 (2007) and EN 61241-1 (2005) standards are fulfilled
- usable for gases in the temperature classes T1, T2, T3 and T4, as well as for non-conductive dusts, provided that the surface temperature of the equipment does not exceed + 105 °C



Covering distance as per EN 54



Protection system



Impact-proof housing

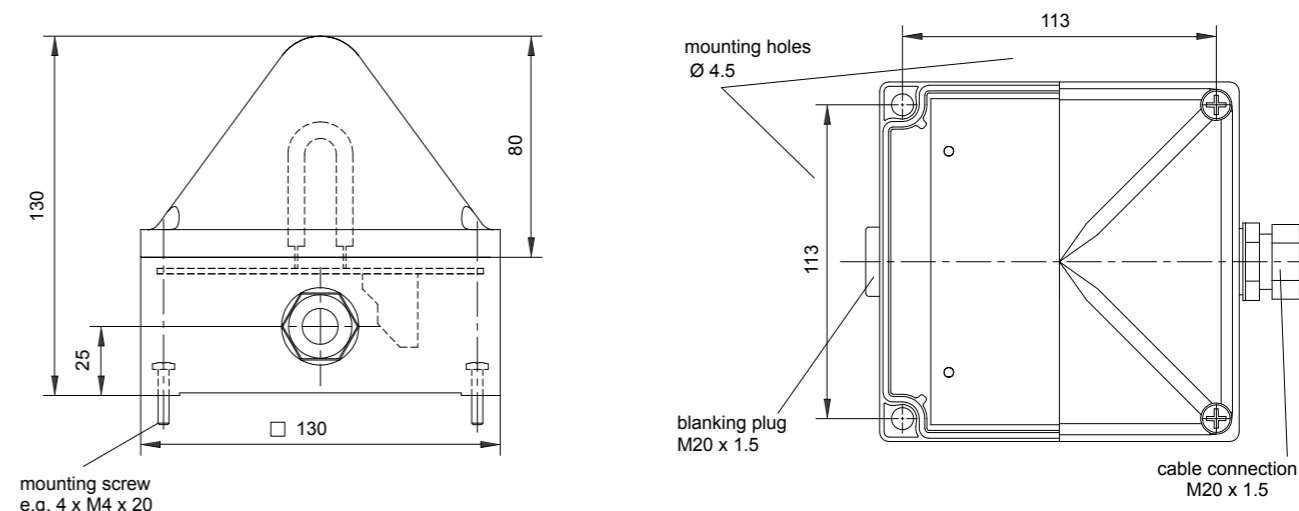


Operating temperature

Electrical data	Quadro F12-3G/3D ATEX		
Rated voltage	230 V AC	115 V AC	24 V DC
Rated frequency	50 / 60 Hz	50 / 60 Hz	
Operating range	195 – 253 V	95 – 127 V	18 – 30 V
Nominal current consumption	90 mA	140 mA	360 mA
Initial current limited to	< 7 A / 150 µs	< 7 A / 150 µs	< 5 A / 2 ms

Mechanical data	Quadro F12-3G/3D ATEX
Explosion protection	II 3G Ex nR IIC T4 - 20 °C ≤ Ta ≤ + 45 °C II 3D Ex tD A22 IP66 T105 °C - 20 °C ≤ Ta ≤ + 45 °C
Category (area of use)	3G (Zone 2) 3D (Zone 22)
Conformity to standards	Guideline 94/9/EG (ATEX 100a)
Testing body	Pfannenberg
Special conditions	X: according to the requirements of prDIN EN 60 079-0, DIN EN 61241-0 (2007) and DIN EN 61241-1 (2005), the equipment is suitable for applications with a low degree of mechanical danger. It must therefore be ensured that the light is mounted with sufficient protection against impacts. A protective cage is not mandatory.
Flash rate	0.83 Hz = 50 flashes/min.
Flash energy	7.5 J
Light intensity (DIN 5037)	clear lens 84 cd
Lens colours	clear, white, yellow, amber, red, green, blue
Operating temperature	- 20 °C ... + 45 °C
Storage temperature	- 40 °C ... + 70 °C
Relative humidity	100%
Protection system according to EN 60529	IP 66; mounting arbitrary
Impact resistance as per EN 50102	IK 08
Protection class	II
Duty cycle	100%
Service life of the flash tube	light emission still 70% after 8,000,000 flashes
Material	lens: polycarbonate (PC) housing: polycarbonate (PC), RAL 7035 (optionally RAL 3000)
Connecting terminals	cage clamp terminal 0.08 – 2.5 mm ²
Cable entry	2 x M20 sideways (1 x blanking plug, 1 x cable connection)
Weight	600 g

Dimensions



Ordering details

Article numbers	Quadro F12-3G/3D ATEX	
Lens colour	Rated voltage	
	230 V AC	24 V DC
clear	210 41 10 1 008	210 41 80 1 008
yellow	210 41 10 3 008	210 41 80 3 008
amber	210 41 10 4 008	210 41 80 4 008
red	210 41 10 5 008	210 41 80 5 008

Article numbers for other colours and voltages on request

Options / Accessories



Manufacturer's declaration

We hereby declare that the explosion-protected means of alarm with the type designation **Quadro F12 3G/3D** has been developed and manufactured in accordance with the requirements as per EN 50014.

This declaration is based on compliance with the following regulations and standards:

- DIN EN 60079-0 Electrical equipment for areas at risk of gas explosions – Part 0: General requirements
- DIN EN 60079-15 Electrical equipment for areas at risk of explosions – Part 15: type of protection type 'n'
- DIN EN 61241-0 Electrical equipment for use in areas with combustible dust – General requirements
- DIN EN 61241-1 Electrical equipment for use in areas with combustible dust – protection by enclosure 'tD'
- DIN EN 60598-1 Lights – Part 1: General requirements and tests
- DIN EN 60947-1 Low-voltage switchgear – Part 1: General specifications
- DIN EN 60529 Types of protection by enclosure (IP code)
- DIN EN 50102 Types of protection by enclosure for electrical equipment against external mechanical stresses (IK code)
- DIN EN 61000-6-2 Electromagnetic compatibility (EMC) – Part 6-2: Generic standards, noise immunity for industrial areas
- DIN EN 61000-6-3 Electromagnetic compatibility (EMC) – Part 6-3: Generic standards, interference emission for residential areas, business and commercial areas as well as small companies
- DIN EN 981 Machine safety - System of acoustic and visual alarm signals and information signals
- ISO 11429 System of acoustic and visual alarm signals and information signals
- UVV-BGV A3(VBG4) Electrical plants and equipment
- GSGV German Appliance Safety Act

The Quadro F12 3G/3D flashing lights are approved for use in potentially explosive areas in Zones 2 and 22 as per 94/9/EU.